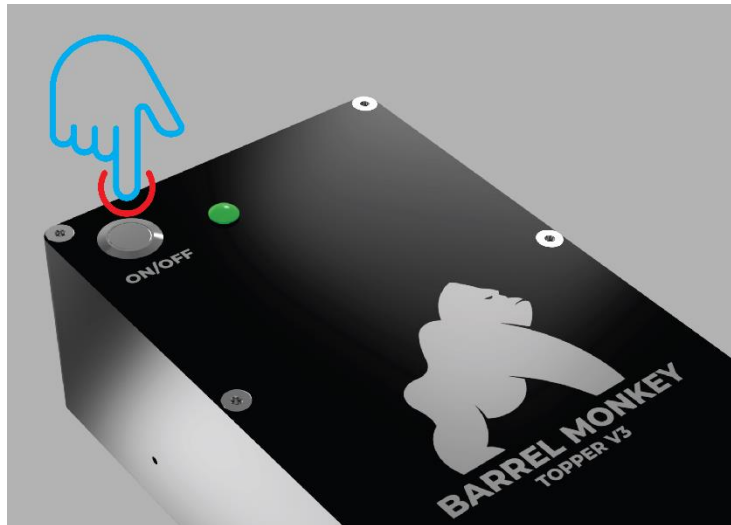


Topper V3 Quick Start Guide

Setup:

1. Power on the system.

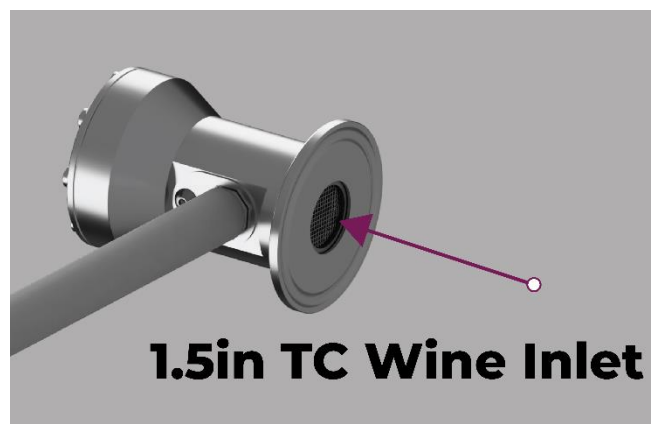


The LED will illuminate indicating the battery level. The nozzle LED's will turn on and remain blue until the system is initialized.

2. Connect the tri-clover to a cleaning solution.

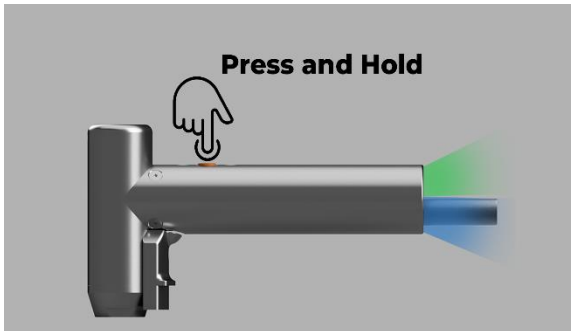
Acceptable

| |
|--|
| Caustic/P-Carb |
| Peracetic Acid (PAA) |
| Ozone |
| Sulfur/Citric |
| Hot Water (less than 180F, 82C) |



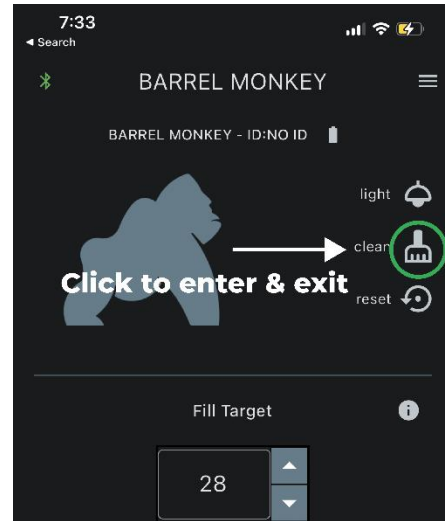
3. Enter cleaning mode.

Option 1:



- Press and hold the button to enter cleaning mode
- Nozzle LED's will alternate blue and green
- Press again to exit cleaning mode

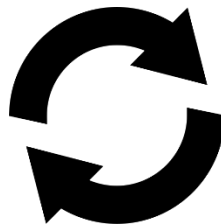
Option 2:



- Connect to the nozzle
- Press the "Clean" button to enter cleaning mode
- Press again to exit

The nozzle valve will remain open and allow cleaning solution to pass until cleaning mode is exited.

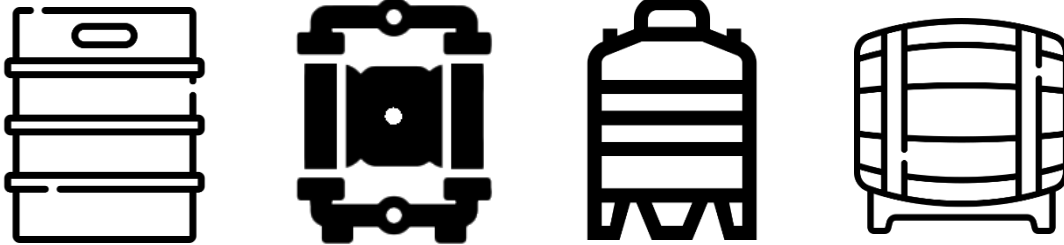
4. Repeat this procedure with a different solution water to rinse.



Topping Barrels:

1. Connect the topper to topping wine.

This can be a pressurized keg, barrel, gravity fed, or pumped. 15-35 PSI recommended



We strongly recommend adding a hose extension between your wine source and the topper. The recommended hose diameters are 0.5inch and 0.75inch.

2. Hang the Battery Enclosure on a barrel rack

- a. Push the enclosure forward and lift to release it from the rack.

3. Purge air from the line using your topping wine.

- a. Enter cleaning mode as described before to start purging the line. A single press will close the valve.

4. Place the nozzle in a Barrel and double press to begin topping.

- a. Best results are achieved when the topper is as flat as possible.
- b. Wine will flow until the sensor is triggered. You may remove the nozzle once the LED's stops blinking. **DO NOT REMOVE THE NOZZLE UNTIL THE BLINKING STOPS.**
- c. The top off can be stopped at any time by a single press of the orange button.
- d. Try to maintain a consistent orientation from barrel to barrel. This isn't strictly necessary but will provide the best consistency. The topper should be placed straight on from the barrel head or straight on from the side.



5. Minimum dispense function

- a. If the topper shuts off very close to the target fill height it will not reopen. This is often the case when the system is learning after a setting change.
- b. The system can dispense the minimum possible fluid by a single press of the button followed quickly by a press and hold (more briefly: press, release, press and hold). We encourage the operator to try this outside of a barrel to get a sense of the button sequence.

6. Maintain sensor cleanliness.

- a. The sensor will periodically require cleaning. Wipe the bottom face with something soft to clear debris.
- b. Symptoms of a dirty sensor include under/overfilling and excessive valve cycling.

7. Adjust the fill height from the app. Please see the App Guide.

Charging:

1. Only use the charger provided with your topper

- a. 20V, 3A DC

2. Connect the charger



3. The LED will start blinking, indicating that charging was successfully initiated.

- a. The LED will continue blinking until the charge is complete.
- b. Charge the pack completely, when possible.